

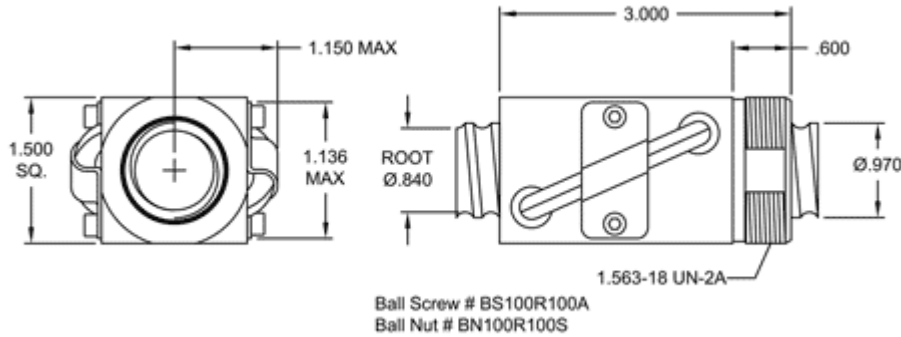
1.000 IN. DIAMETER - 1.000 IN. LEAD

This 1 inch diameter ball screw has a 1 inch lead. Corresponding ball nuts are available in standard capacity with right-hand threads.

BALL SCREW SPECIFICATIONS	RH
BALL SCREW PART NO.	BS100R100A
NOMINAL BALL CIRCLE DIAMETER	1.000 IN.
LEAD	1.000 IN.
SCREW DIAMETER	0.970 IN.
ROOT DIAMETER	0.840 IN.
SCREW WEIGHT	2.17 LB./FT.
TORQUE TO RAISE 1 POUND*	0.177IN.-LB.
MAXIMUM SCREW LENGTH	12 FT.

* Torque to raise 1 pound = 0.177 x inches lead x pounds load

Standard Capacity Ball Nut Specifications (S)



Right hand thread direction shown.

BALL NUT SPECIFICATIONS	RH
BALL NUT PART NO. (STANDARD CAPACITY)	BN100R100S
BALL NUT WITH FLANGE PART NO.	BF100R100S
DYNAMIC LOAD CAPACITY**	2,300 LB.
STATIC LOAD CAPACITY	11,500 LB.
BALL NUT WEIGHT	1.12 LB.
NOMINAL BALL DIA. (AVG. BALL QTY.)	5/32 IN. (98)
FLANGE PART NO.	FL-1563
WIPER KIT PART NO.	WK-40

** for 1,000,000 inches