

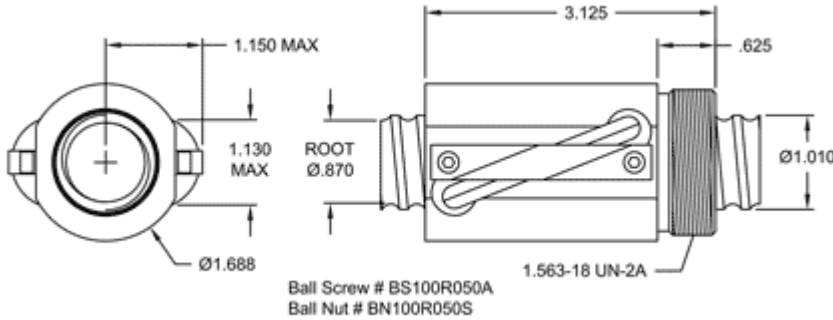
1.000 IN. DIAMETER -0.500 IN. LEAD

This 1 inch diameter ball screw has a 0.500 inch lead. Corresponding ball nuts are available in standard capacity with right-hand threads.

BALL SCREW SPECIFICATIONS	RH
BALL SCREW PART NO.	BS 100 R 050 A
NOMINAL BALL CIRCLE DIAMETER	1.000 IN.
LEAD	0.500 IN.
SCREW DIAMETER	1.010 IN.
ROOT DIAMETER	0.870 IN.
SCREW WEIGHT	2.41 LB./FT.
TORQUE TO RAISE 1 POUND*	0.089 IN.-LB.
MAXIMUM SCREW LENGTH	12 FT.

* Torque to raise 1 pound = 0.177 x inches lead x pounds load

Standard Capacity Ball Nut Specifications (S)



BALL NUT SPECIFICATIONS	RH
BALL NUT PART NO. (STANDARD CAPACITY)	BN 100 R 050 S
BALL NUT WITH FLANGE PART NO.	BF 100 R 050 S
DYNAMIC LOAD CAPACITY**	4,250 LB.
STATIC LOAD CAPACITY	30,000 LB.
BALL NUT WEIGHT	1.06 LB.
NOMINAL BALL DIA. (AVG. BALL QTY.)	5/32 IN. (186)
FLANGE PART NO.	FL-1563
WIPER KIT PART NO.	WK-43

** for 1,000,000 inches