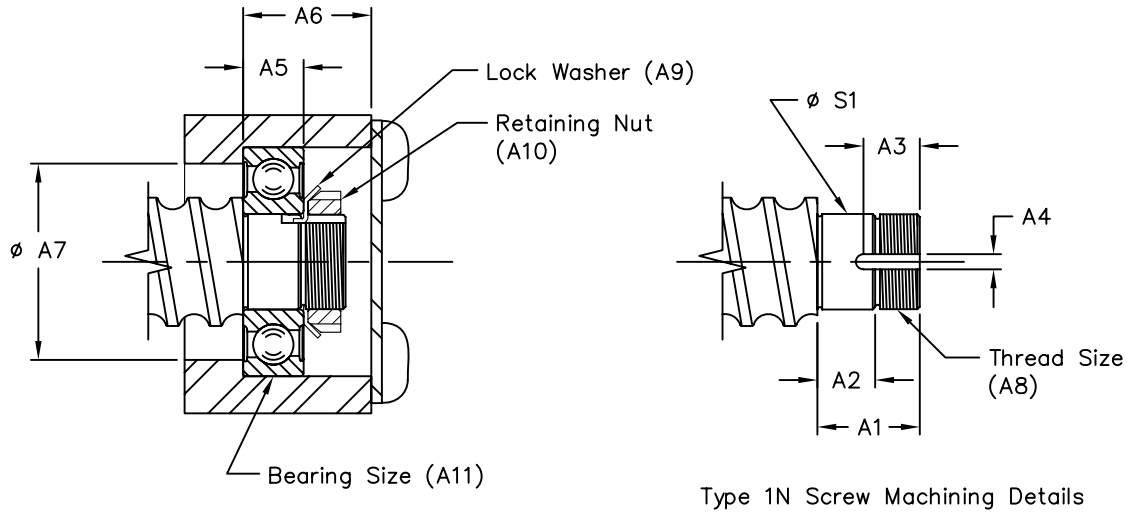
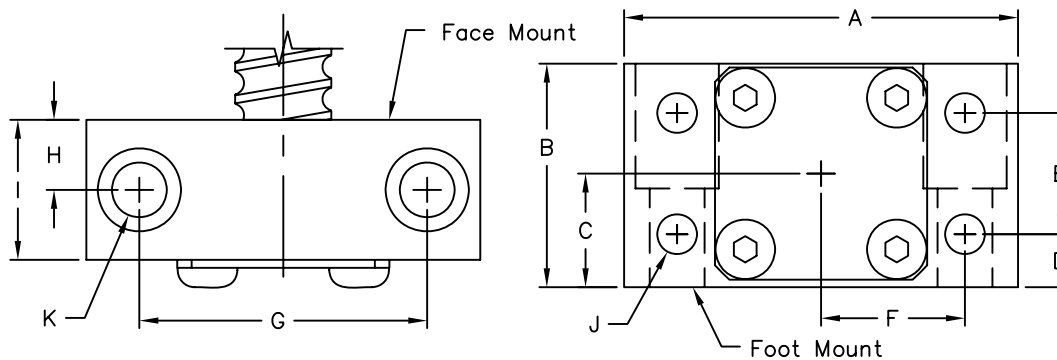


Joyce Ball Screw - SB Bearing Mounts Ball Screw End Machining Details



Screw Number	Bearing Mount No.	ϕ S1	A1	A2	A3	A4	A5	A6	ϕ A7	A8	A9	A10	A11
BS063R020A BS063L020A	SB-12	.4726 .4723	.890	.450	.56	.127 .125	.472	1.029	1.25	.469-32 UNS	W-01	N-01	6301
BS075R020A BS075R050A	SB-15	.5908 .5905	.930	.490	.56	.127 .125	.512	1.094	1.38	.586-32 UNS	W-02	N-02	6302
BS100R025A BS100L025A BS100R050A BS100R100A	SB-20	.7877 .7873	1.070	.570	.63	.190 .188	.590	1.305	1.75	.781-32 UNS	W-04	N-04	6304
BS150R100A BS150R188A	SB-25	.9846 .9842	1.190	.650	.70	.190 .188	.669	1.420	2.06	.969-32 UNS	W-05	N-05	6305
BS150R050A	SB-30	1.1814 1.1810	1.275	.720	.70	.190 .188	.748	1.587	2.43	1.173-18 UNS	W-06	N-06	6306
BS225R050A		1.7721 1.7716	1.550	.960	.80	.315 .313	.984	2.000	3.50	1.767-18 UNS	W-09	N-09	6309
BS250R050A		2.1659 2.1653	1.770	1.120	.86	.315 .313	1.142	2.250	4.13	2.157-18 UNS	W-11	N-11	6311
BS300R066A		2.3627 2.3622	1.880	1.195	.90	.315 .313	1.220	2.375	4.50	2.360-18 UNS	W-12	N-12	6312
BS400R100A		3.1501 3.1495	2.270	1.510	1.05	.377 .375	1.535	2.750	6.00	3.137-12 UNS	W-16	N-16	6316

Joyce Ball Screw - SB Bearing Mounts



Screw Number	Bearing Mount No.	A	B	C	D	E	F	G	H	I	J	K
BS063R020A BS063L020A	SB-12	3.000	1.875	1.000	.375	1.125	1.125	2.250	.672	1.344	.281 (4x)	.406 Thru .625 C'Bore .875 Deep
BS075R020A BS075R050A	SB-15	3.500	2.125	1.125	.375	1.375	1.250	2.500	.813	1.625	.281 (4x)	.406 Thru .625 C'Bore 1.000 Deep
BS100R025A BS100L025A BS100R050A BS100R100A	SB-20	4.500	2.750	1.438	.500	1.750	1.625	3.250	.938	1.875	.469 (4x)	.656 Thru 1.000 C'Bore 1.312 Deep
BS150R100A BS150R188A	SB-25	6.500	3.690	1.875	.875	2.000	2.375	4.750	.970	1.940	.656 (4x)	.906 Thru 1.375 C'Bore 1.750 Deep
BS150R050A	SB-30	6.500	3.690	1.875	.875	2.000	2.375	4.750	1.156	2.312	.656 (4x)	.906 Thru 1.375 C'Bore 2.060 Deep