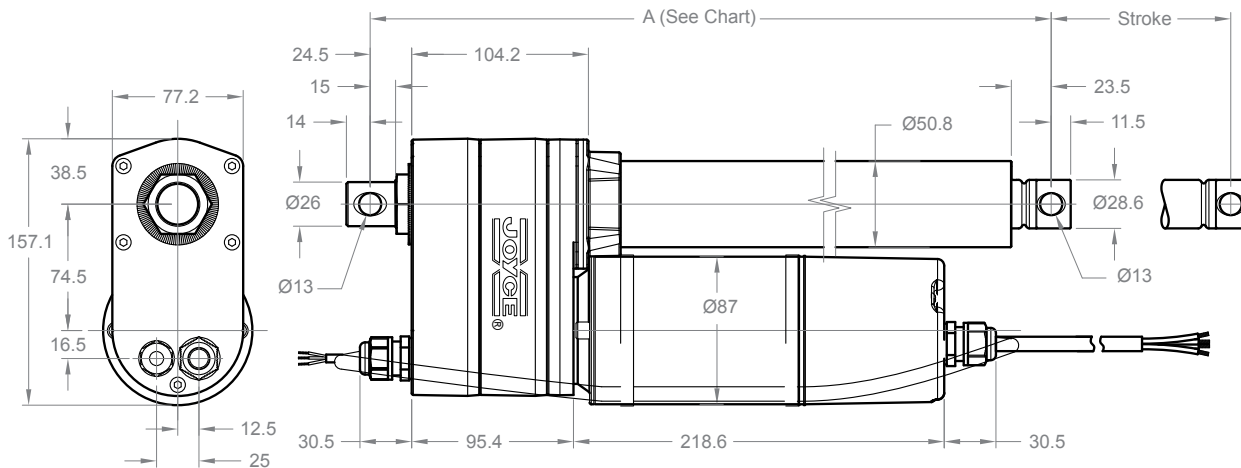


# MA2547/MA3527/MA4514/MA7007 (120 VAC)

- 120 VAC
- Dynamic loads up to 7000N (1574 lb)
- Static load capacity of 13,600N (3057 lb)
- Maximum travel speeds (see chart)
- 25% duty cycle
- Clevis-to-clevis mounting
- Self-locking
- Preset limit switches can be adjusted
- Potentiometer
- IP65 protection rating
- Steel extension tube and outer tube
- Optional AC controls (see back cover)

MA2547 / MA3527 / MA4514 / MA7007 Multipurpose Actuators (120 VAC)				
Part Number	Capacity N (lb)	Stroke mm (in)	Travel Speed mm/sec (in/min)	Retracted (A) mm (in)
MA2547B8115	2500 (562)	153 (6.0)	41 (96)	450 (17.7)
MA2547B8130	2500 (562)	305 (12.0)	41 (96)	680 (26.8)
MA2547B8145	2500 (562)	457 (18.0)	41 (96)	832 (32.8)
MA3527B8115	3500 (787)	153 (6.0)	23 (54)	450 (17.7)
MA3527B8130	3500 (787)	305 (12.0)	23 (54)	680 (26.8)
MA3527B8145	3500 (787)	457 (18.0)	23 (54)	832 (32.8)
MA4514B8115	4500 (1012)	153 (6.0)	12 (28)	450 (17.7)
MA4514B8130	4500 (1012)	305 (12.0)	12 (28)	680 (26.8)
MA4514B8145	4500 (1012)	457 (18.0)	12 (28)	832 (32.8)
MA7007B8115	7000 (1574)	153 (6.0)	6 (14)	450 (17.7)
MA7007B8130	7000 (1574)	305 (12.0)	6 (14)	680 (26.8)
MA7007B8145	7000 (1574)	457 (18.0)	6 (14)	832 (32.8)

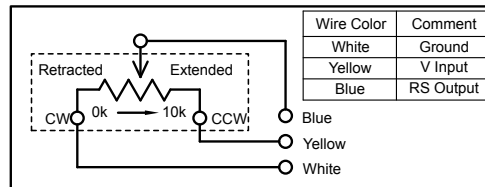
Refer to MA1527 / MA3507 (120 VAC) for photo.



All dimensions are in millimeters.

Limit switches are wired internally.

Potentiometer



Motor 120 VAC

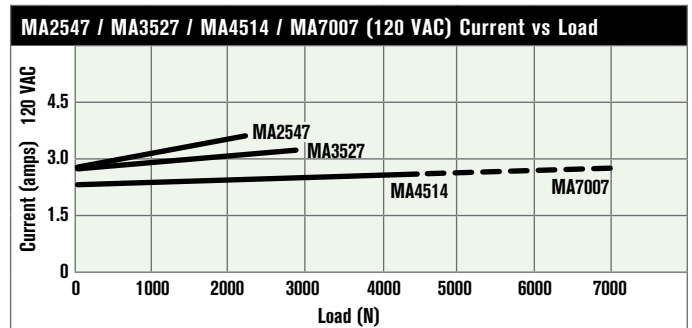
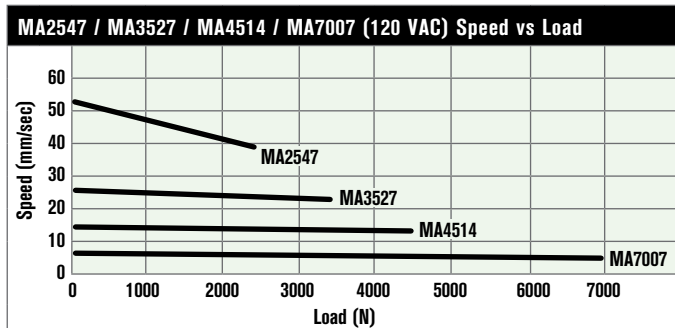
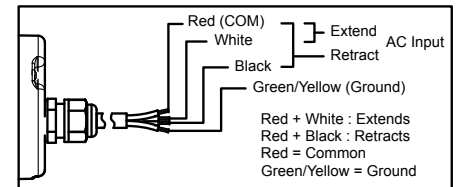


Chart values based on 18°C (64°F).

Contact Joyce/Dayton with all your actuator and control requirements.