

OPTIONS LIMIT SWITCHES

Rugged Joyce limit switches allow you to set precise travel limits and stops on Joyce jacks and actuators. They are also ideal in any application where rotary motion of a machine component can be used to indicate linear motion of another part. They are compatible with 2-ton through 150-ton jacks, actuators, electric cylinders, and integrated actuators.

LS7 Limit Switch

The LS7 Limit Switch has two Single-Pole, Double-Throw (SPDT) switch contacts. This switch offers a NEMA 4 rated enclosure — rated for dust, rain and hose-directed water. To set switches, first remove the cover plate and “L” bracket, then manually rotate the cams to desired positions. This switch is compatible with integrated actuators.

LS8 Limit Switch

The LS8 limit switch is best suited for general-purpose applications requiring up to four switch contacts for operating motors, lights and other accessories. It is available in two models: the LS8 402 (two-switch model) and the LS8 404 (four-switch model). Both LS8 models offer NEMA 4 rated enclosure — rated for dust, rain and hose directed water. Simply loosen a cam detent screw and rotate the switch trip cam to the desired position to achieve switch adjustment.

LS9 Limit Switch

The LS9 limit switch is recommended for general-purpose applications that require two to seven switches. Similar to the LS8 model, the LS9 offers the same high quality NEMA 4 rated enclosure. Five models are available, from the two-switch LS9 502 to the seven-switch LS9 507. Switch adjustment is accomplished with screwdriver adjustment of a self-locking wormgear connected to the switch cam. Switches can be either all SPDT or all DPDT.



LS7



LS8



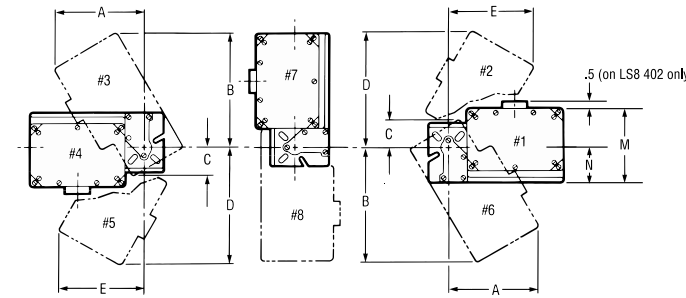
LS9



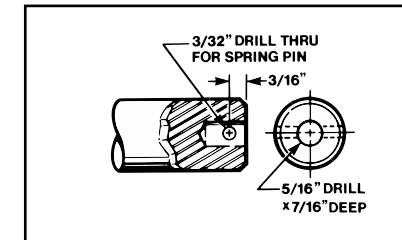
Note: Drawings are artist's conception — not for certification; dimensions are subject to change without notice.

OPTIONS LIMIT SWITCHES

Rotation positions shown looking into end of shaft.



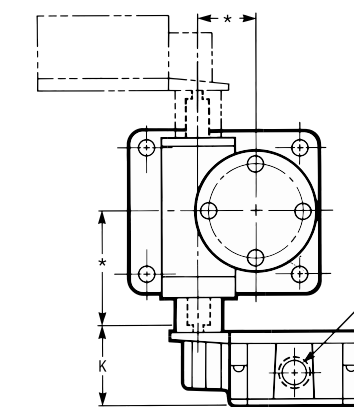
Shaft Detail



- Machine Screw Jacks (p. 18)
- Machine screw ComDRIVES® (p. 45)
- Stainless Steel Jacks (p. 58)
- Metric Screw Jacks (p. 71)
- Ball Screw Jacks (p. 80)
- BallScrew ComDRIVES (p. 102)
- Electric Cylinders (p. 118)
- Integrated Actuators (p. 135)

2, 3, 5, 10, 15 and 20-ton jacks are available with limit switch positions #1, #3 and #5.
25, 30, 35, 50 and 75-ton jacks are available with limit switch positions #1, #4, #7 and #8.
*Refer to specific product drawing

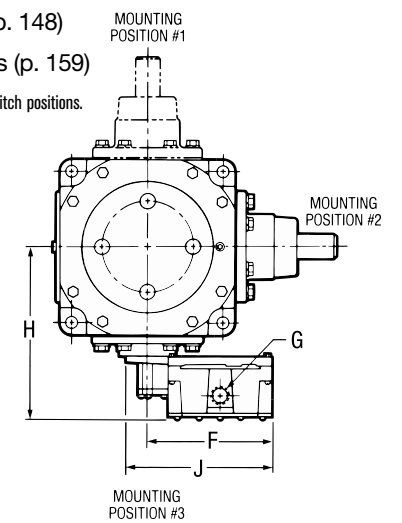
LEFT SIDE MOUNTING



RIGHT SIDE MOUNTING
(ROTATION POS #1 SHOWN)

- Bevel Gear Jacks (p. 148)
- Bevel Ball Actuators (p. 159)

BG and BB are available with all switch positions.



Type	Dimensions														
	A	B	C	D	E	F	G	H BG150 BB150	H BG250 BB225	H BG375 BB300	H BG450 BB400	J	K	M	N
LS7 402	3.81	6.13	1.75	5.44	5.00	5.63	1/2 NPT	7.63	9.00	10.13	15.22	7.0	3.28	3.88	2.63
LS8 402	5.50	6.62	2.00	6.75	5.25	6.25	3/4 NPT	7.88	9.25	10.38	15.47	7.62	3.53	5.25	2.46
LS8 404	6.50	8.38	2.00	8.50	6.25	8.25	1 NPT	8.62	10.00	11.19	16.47	9.62	4.53	5.25	2.46
LS9 502 – 507	6.31	9.25	1.50	8.69	7.25	8.81	1/2 NPT	9.31	10.75	11.88	16.78	10.19	4.84	5.50	3.31

LS8 (400 Series) and LS9 (500 Series) Switch Combination Chart									
Switch Quantity	Single-Pole Double-Throw (SPDT)								
	0	1	2	3	4	5	6	7	
D. P. D. T.	0			402/502	503	404/504	505	506	507
	1		402		404				
	2	402/502		404					
	3	503	404						
	4	404/504							
5	505								

Note: Drawings are artist's conception — not for certification; dimensions are subject to change without notice.