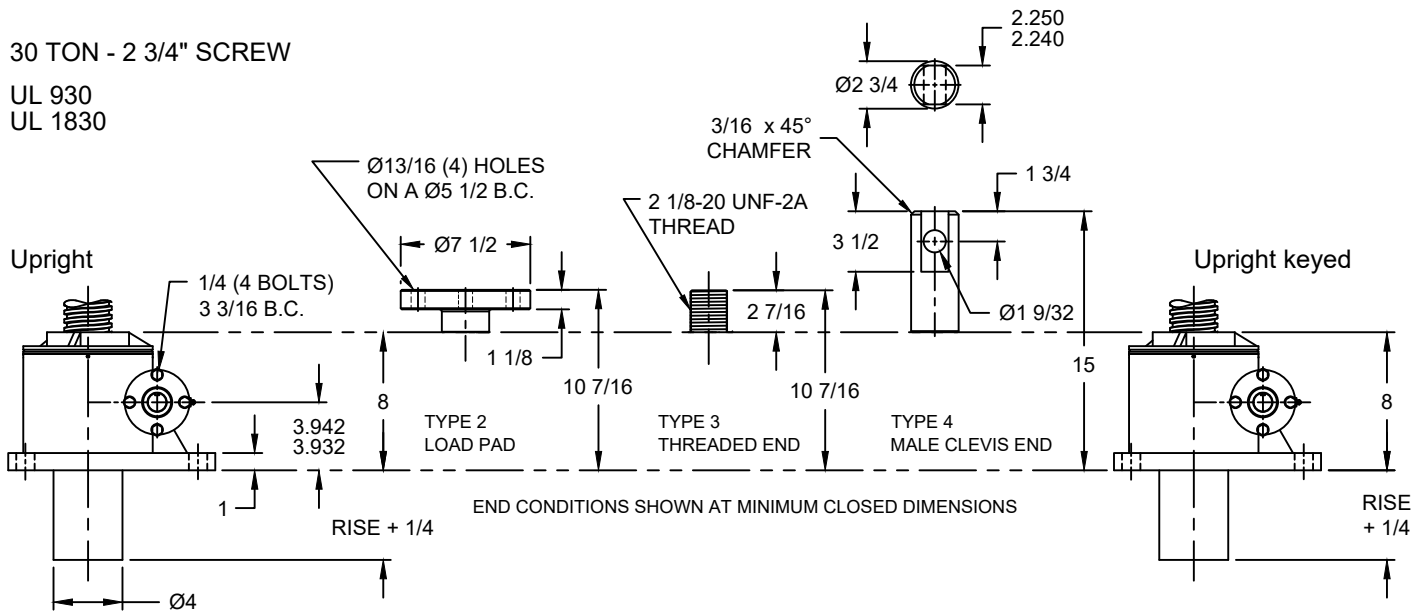
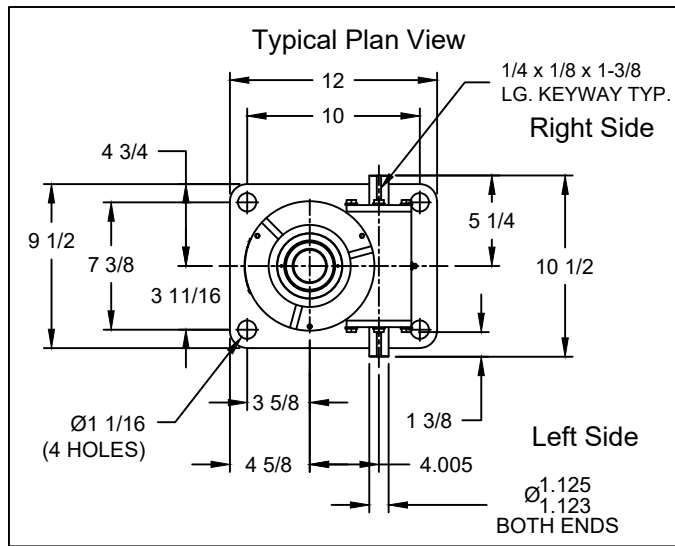
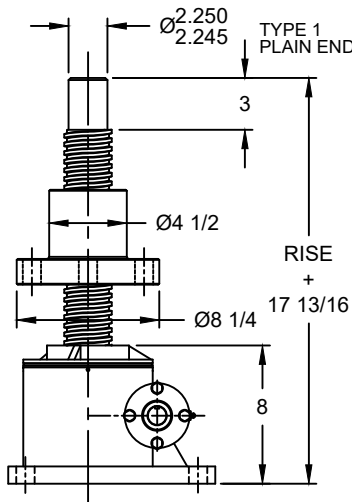


30 TON - 2 3/4" SCREW

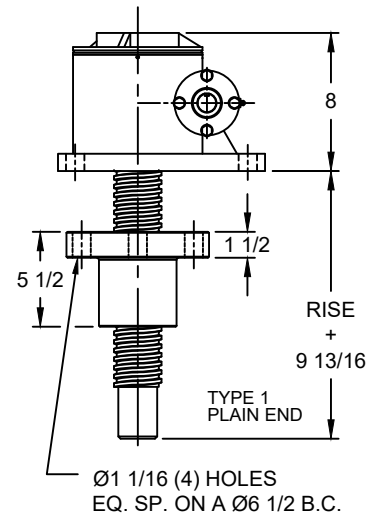
UL 930
UL 1830



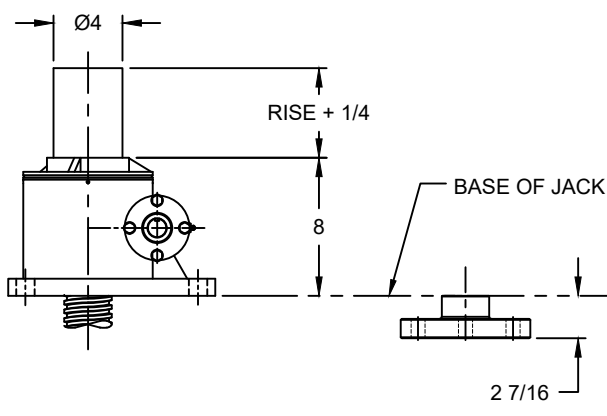
Upright traveling nut



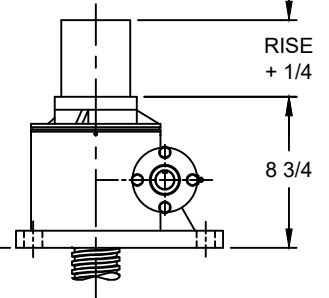
Inverted traveling nut



Inverted



Inverted keyed



Note: Drawings are artist's conception - not for certification; dimensions are subject to change without notice.