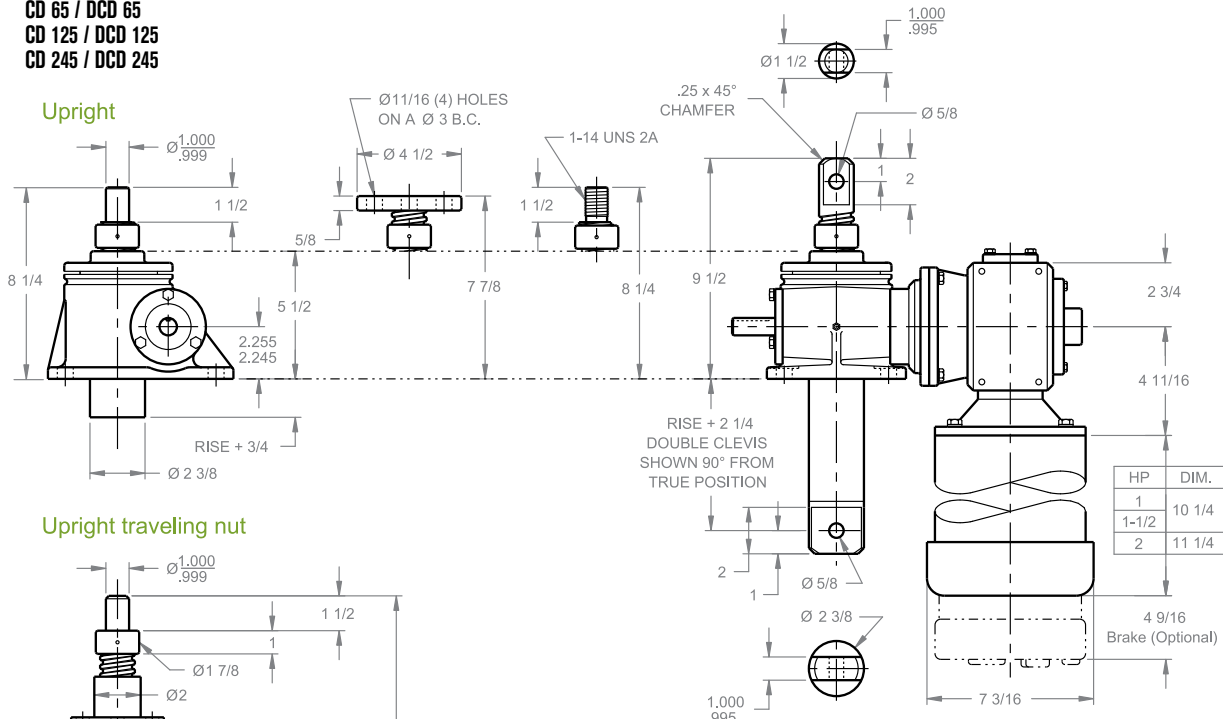


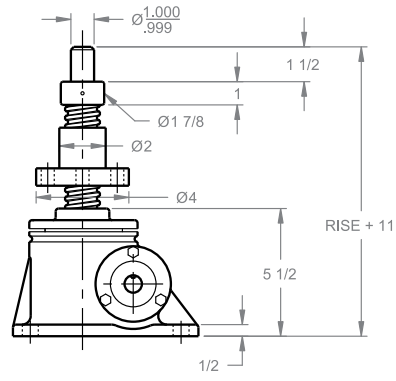
MACHINE SCREW ComDRIVES®

5 TON - 1 1/2" SCREW

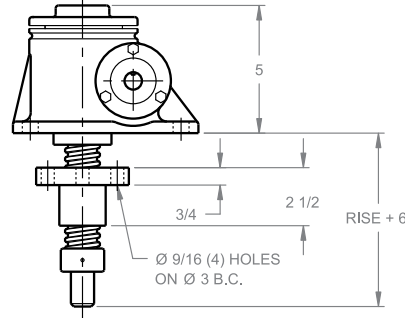
CD 65 / DCD 65
 CD 125 / DCD 125
 CD 245 / DCD 245



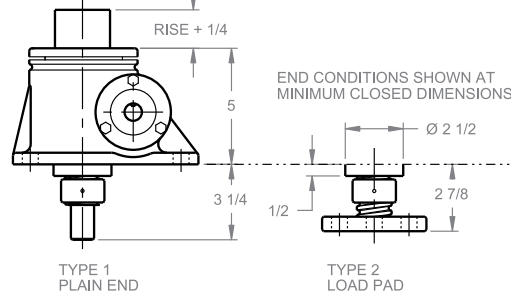
Upright traveling nut



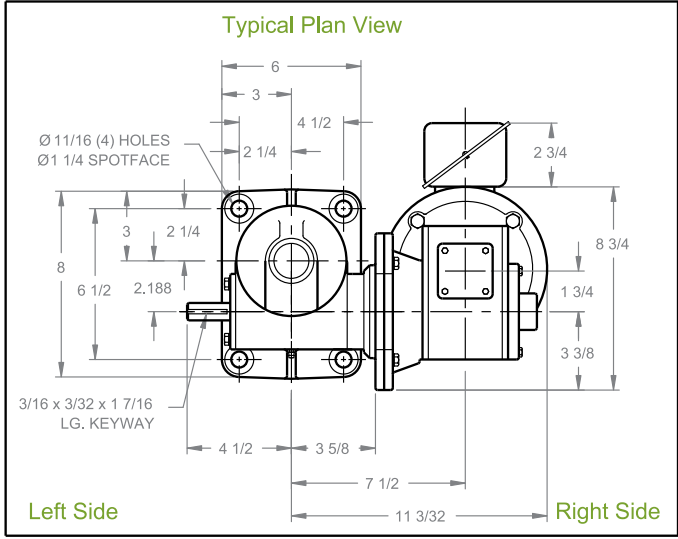
Inverted traveling nut



Inverted

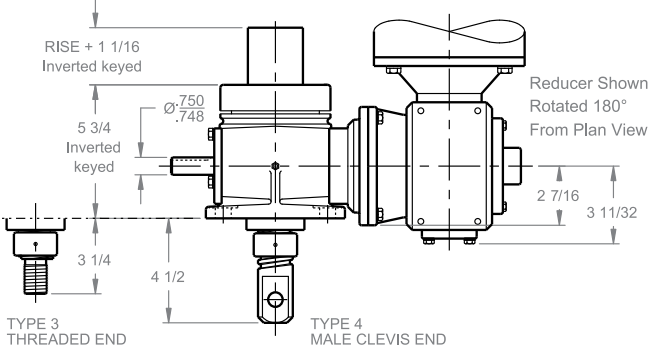


NOTE: FOR LIFTING CAPACITIES SEE PAGE 49



Left Side

Right Side



TYPE 1 PLAIN END

TYPE 2 LOAD PAD

TYPE 3 THREADED END

TYPE 4 MALE CLEVIS END

Note: Drawings are artist's conception — not for certification; dimensions are subject to change without notice.