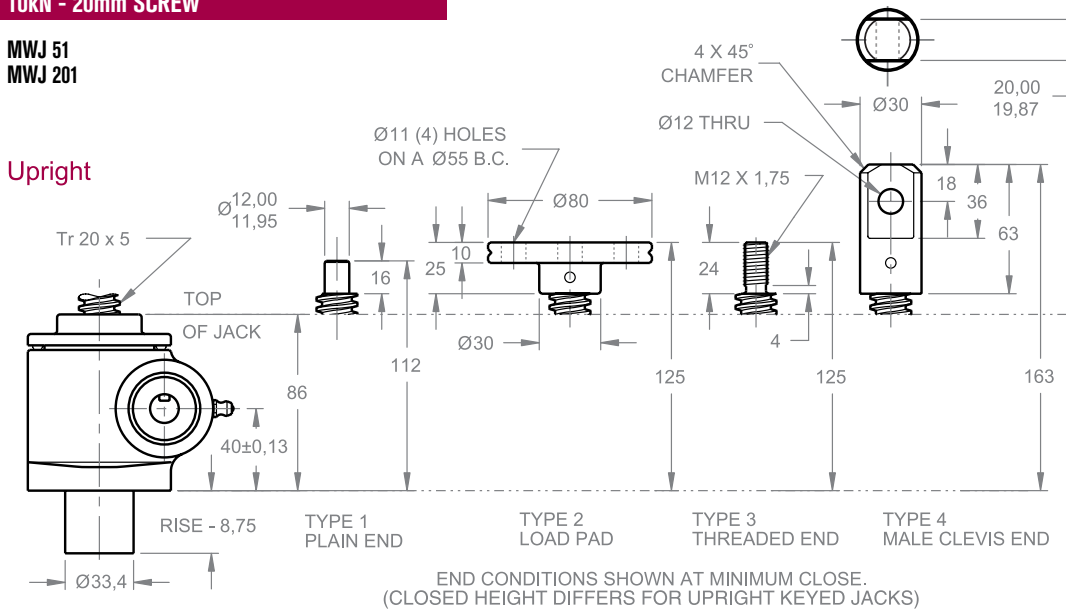


METRIC SCREW JACKS

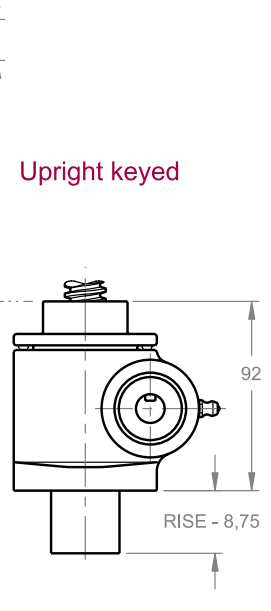
10kN - 20mm SCREW

MWJ 51
MWJ 201

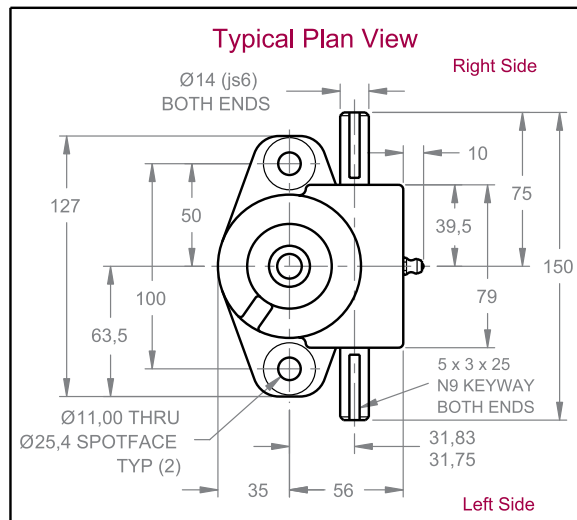
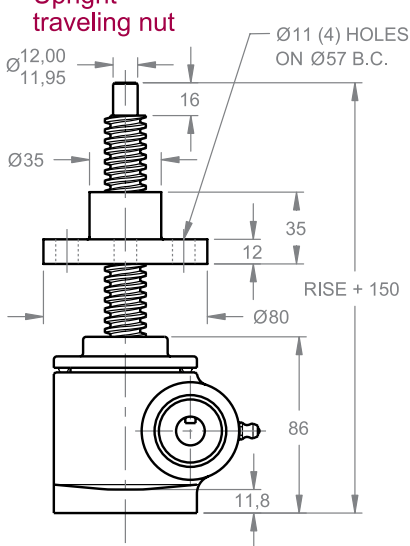
Upright



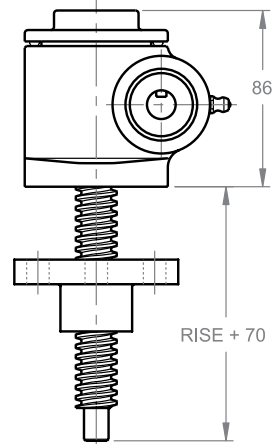
Upright keyed



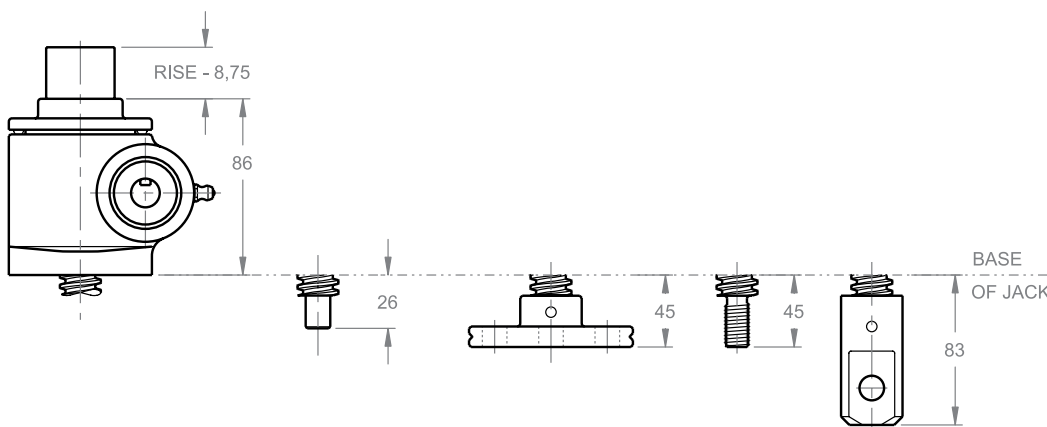
Upright traveling nut



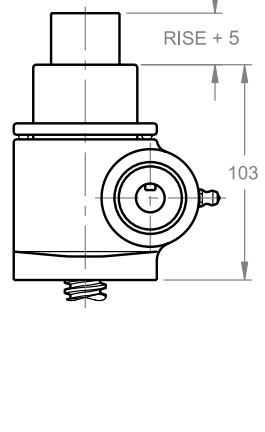
Inverted traveling nut



Inverted



Inverted keyed



Note: Drawings are artist's conception — not for certification; dimensions are subject to change without notice.