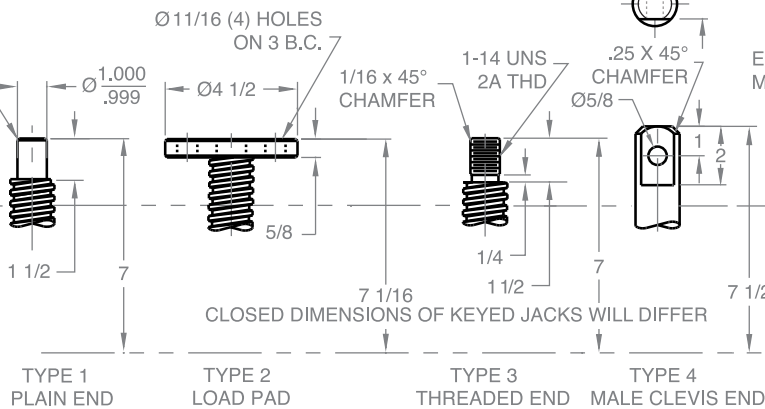
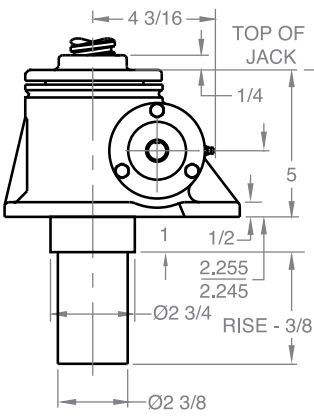


# STAINLESS STEEL JACKS

5 TON - 1 1/2" SCREW

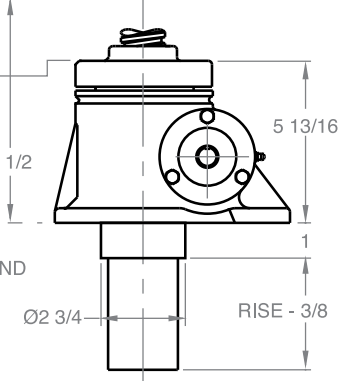
SWJ 65 / DSWJ 65  
 SWJ 125 / DSWJ 125  
 SWJ 245 / DSWJ 245

## Upright

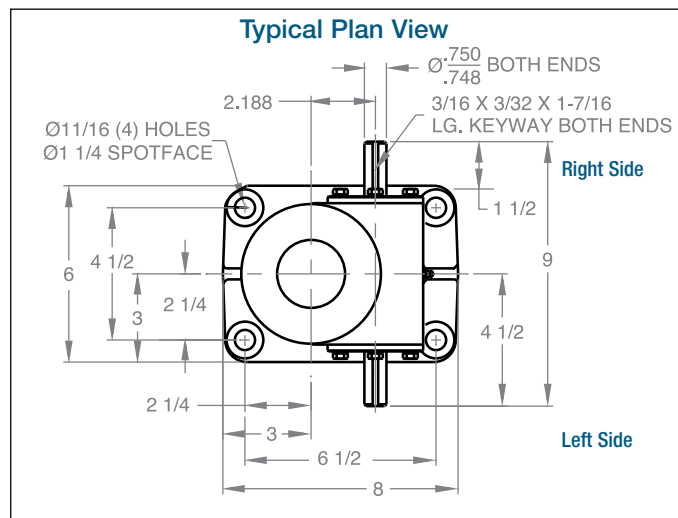
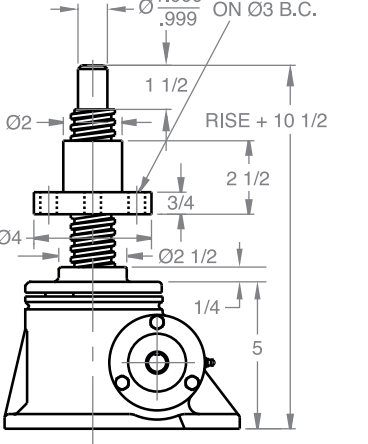


END CONDITIONS (SHOWN AT MINIMUM CLOSED POSITION)

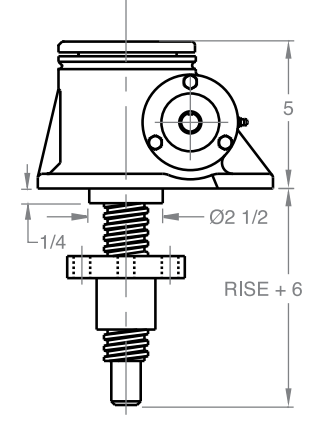
## Upright keyed



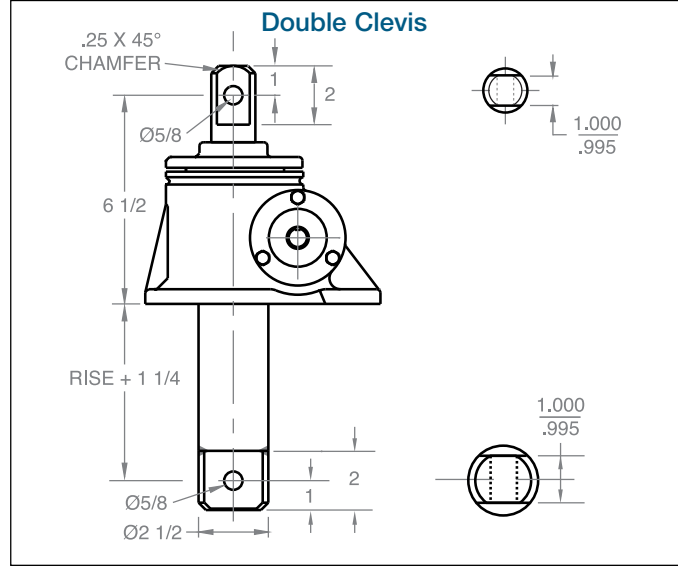
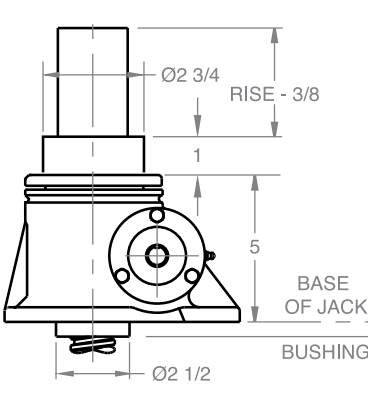
## Upright traveling nut



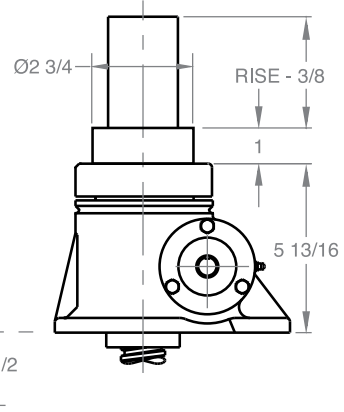
## Inverted traveling nut



## Inverted



## Inverted keyed



Note: Drawings are artist's conception — not for certification; dimensions are subject to change without notice.