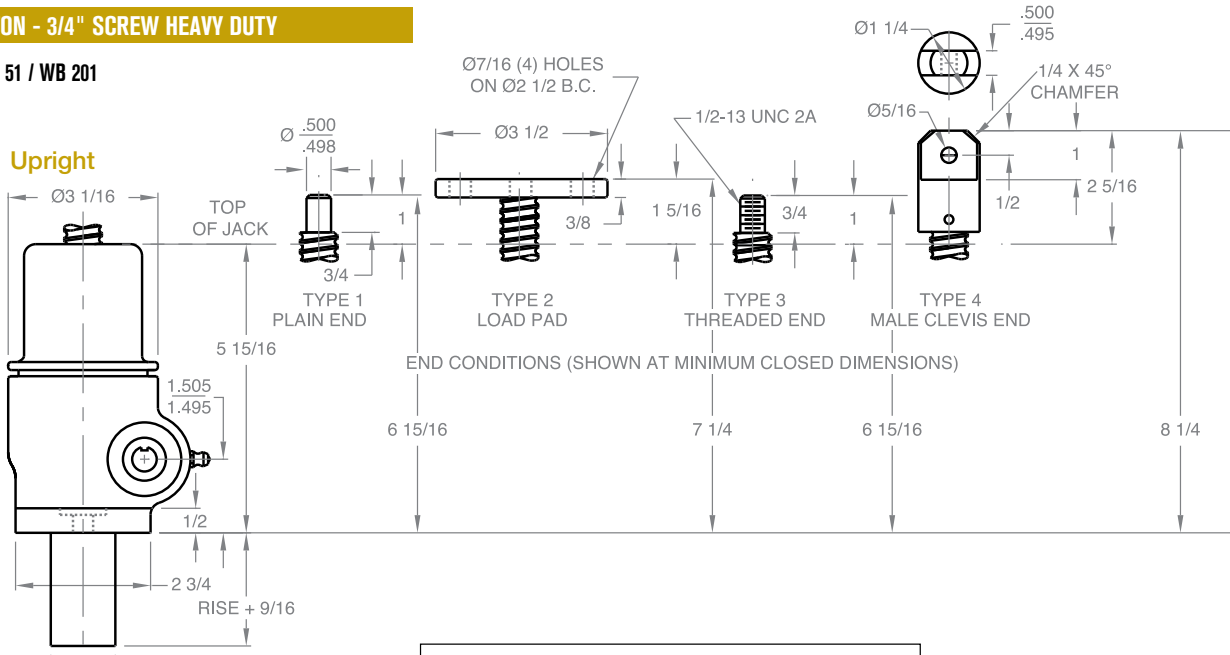


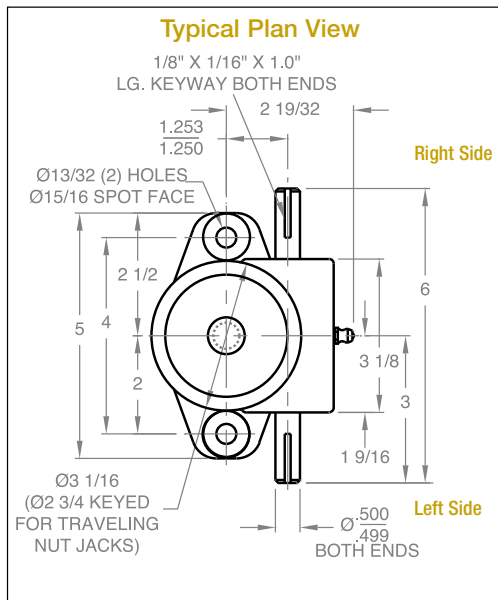
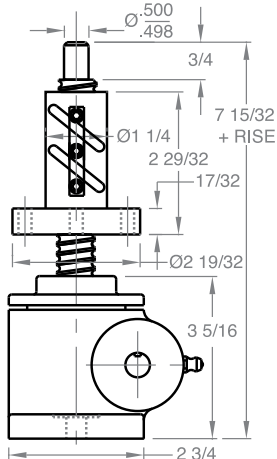
# BALL SCREW JACKS

## 1 TON - 3/4" SCREW HEAVY DUTY

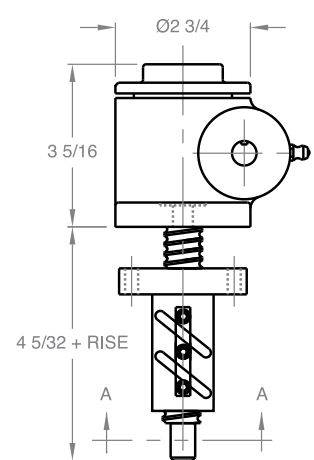
WB 51 / WB 201



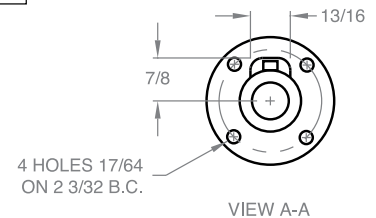
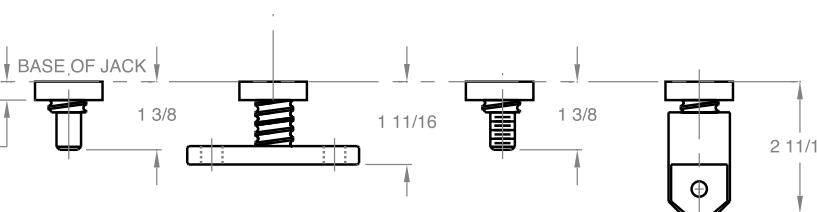
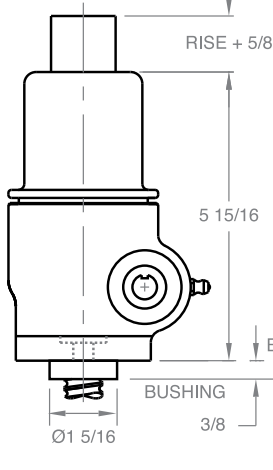
### Upright traveling nut



### Inverted traveling nut



### Inverted



Note: Drawings are artist's conception — not for certification; dimensions are subject to change without notice.