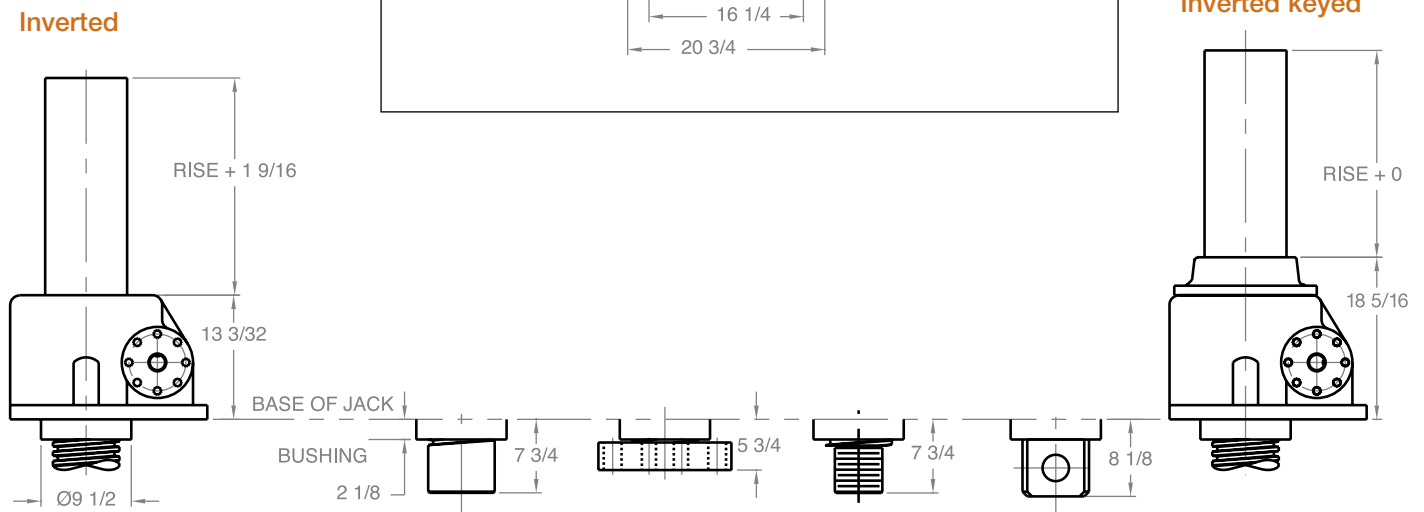
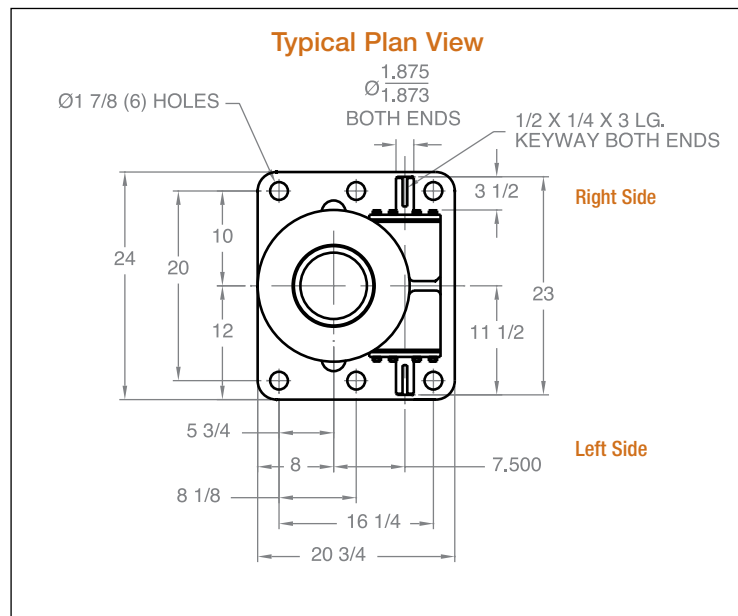
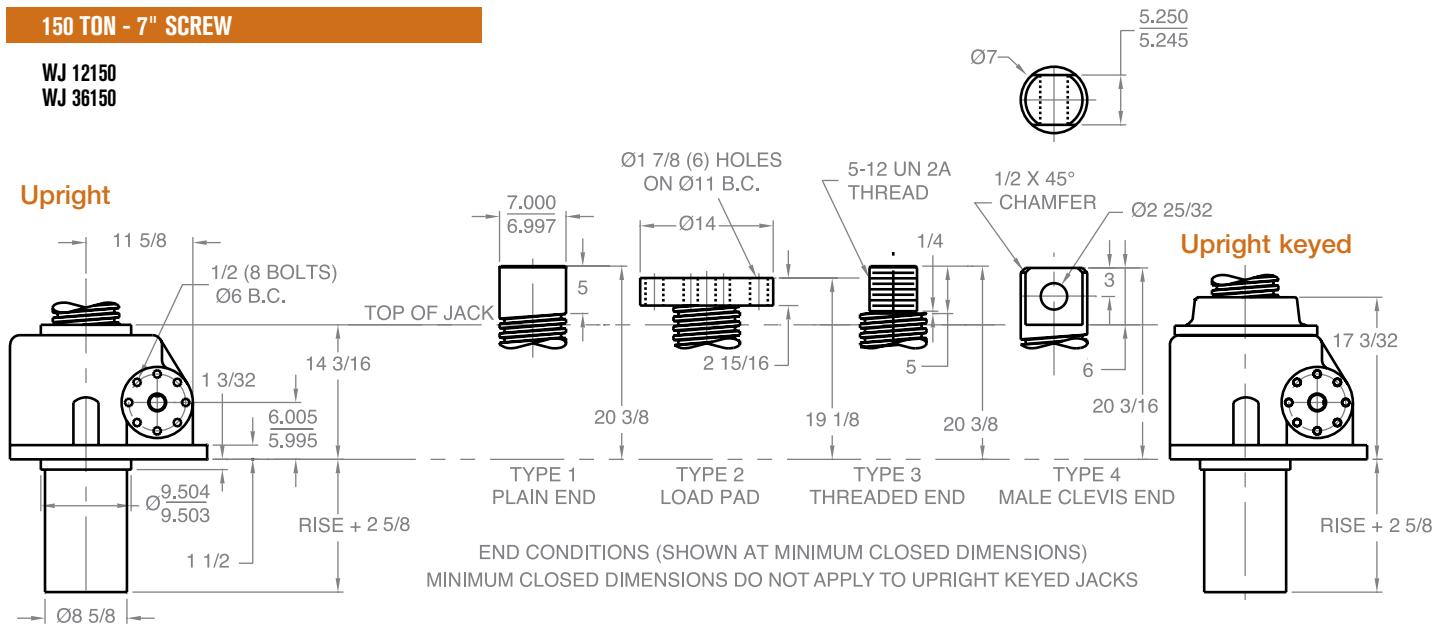


MACHINE SCREW JACKS

150 TON - 7" SCREW

WJ 12150
WJ 36150



Note: Drawings are artist's conception — not for certification; dimensions are subject to change without notice. Minimum closed dimensions do not apply to upright keyed jacks.