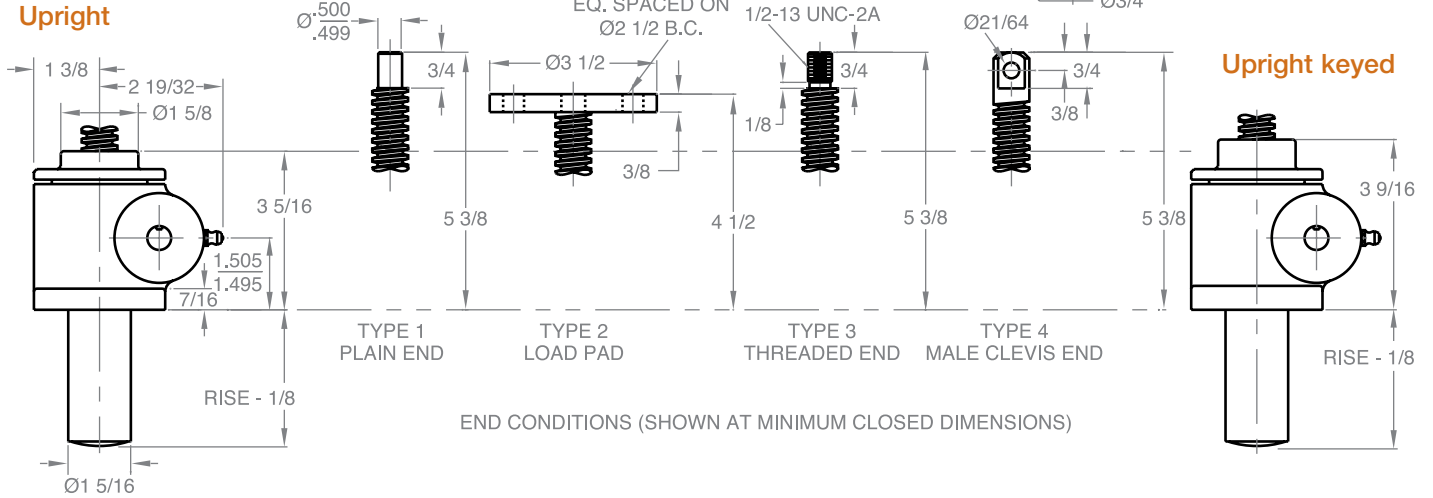


MACHINE SCREW JACKS

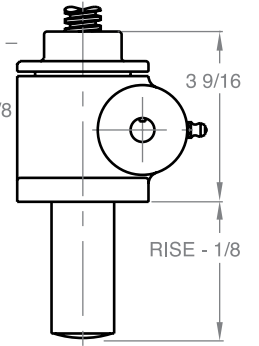
1 TON - 3/4" SCREW

WJ 51 / WJ 201

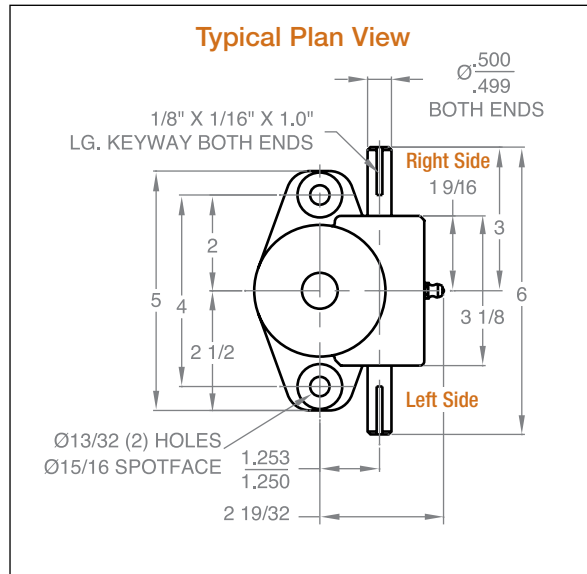
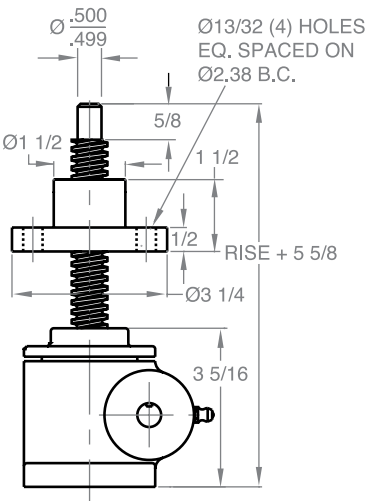
Upright



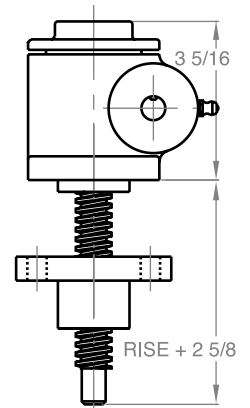
Upright keyed



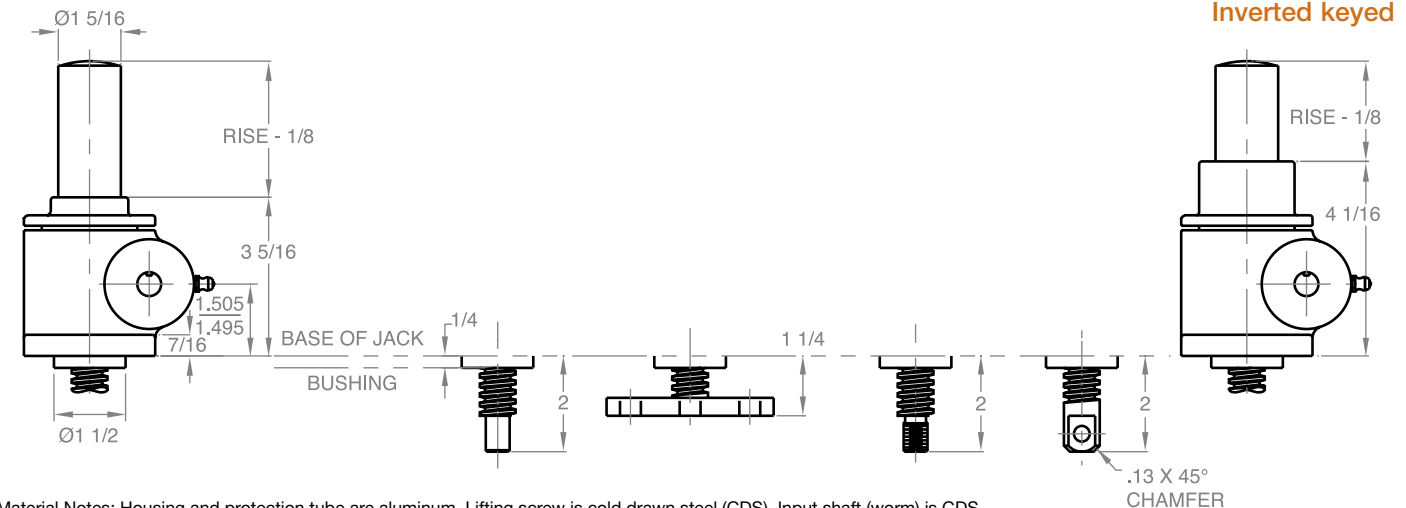
Upright traveling nut



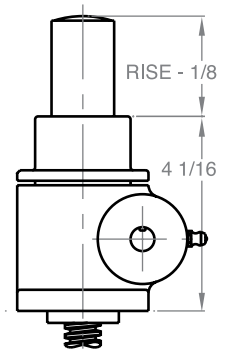
Inverted traveling nut



Inverted



Inverted keyed



Material Notes: Housing and protection tube are aluminum. Lifting screw is cold drawn steel (CDS). Input shaft (worm) is CDS.

Note: Drawings are artist's conception — not for certification; dimensions are subject to change without notice.